

INSTANT-FLOW[®] MICRO MIX[®] - LOW FLOW

IDEAL APPLICATION: public lavatories

PRODUCT FEATURES

- > The combination of any Chronomite[®] IAPMO certified microprocessor instantaneous water heater and the Chronomite[®] IAPMO certified mixing valve assembly AP-12, when installed per the instructions, complies with ASSE 1070-2004. Reference IAPMO R&T Certificate no. 7257. Regulation pertaining to limiting risk of scalding.
- > Uses a digital microprocessor for temperature control
Ultra quick response times for temperature variations - 120 times per second. Microprocessor use is the most energy efficient means of heating water
- > Unlimited hot water
- > Saves water and energy - 99% energy efficient
- > Vandal resistant rugged cast aluminum housing
- > Works with low flow application
- > Space saving compact size:
6-1/4" (H) x 9-5/8" x 2-3/4"
- > Meets applicable building codes including ADA, UL, IAPMO, UPC.
- > Environmentally friendly
- > Made in the U.S.A.

Chronomite Instant-Flow[®] Micro Mix[®] - Low Flow models are manufactured to provide reliable point-of-use hot water at 0.4 GPM with a minimum pressure of 25 PSI.

The **AP-12 valve assembly** consists of IAPMO certified mixing valve, appropriate piping and fittings. Reference IAPMO R & T certificate #7257

Housing is fabricated from rugged cast aluminum alloy.

Element assembly is fabricated from Celcon plastic.

Coils are Nichrome.

Faucet flow control and compression fittings are supplied with each unit.



Made in the USA **EMGI CONTROLS** INSIDE

For the model being selected, please place the corresponding amps and volts values in the Guide Specifications to the right.



Instant-Flow[®] Micro Mix[®] - Low Flow

GUIDE SPECIFICATION

Tankless Water Heater shall be a Chronomite Laboratories Model

M - L / - MM OPTION

AMPS VOLTS

with Amps and Volts
to heat 0.4 GPM to a preset temperature of 104°F.

Unit shall be provided with, microprocessor, Celcon waterways, Nichrome heating coils, and an IAPMO certified AP-12 Mixing Valve Assembly meeting ASSE 1070-2004 compliancy. Hot water storage vessel and simple analog temperature controller are expressly prohibited.

OPTIONAL HOUSING FINISH

- PA 765 ABS (P)
- Satin Finish Stainless Steel (SS)
- High Polish Finish Stainless Steel (SSP)

e.g. Model M-30L/120-MM with 30 Amps, 120 Volts heat 0.4 GPM to preset temperature of 104°F.

MODEL	AMPS	VOLTS	WATTS	ACTIVATION GPM	TEMP RISE @ 0.80 GPM	TEMP RISE @ 1.00 GPM	TEMP RISE @ 2.00 GPM
M-15L / 277-MM	15	277	4150	0.35	35	28	-
M-20L / 120-MM	20	120	2400	0.35	20	-	-
M-20L / 208-MM	20	208	4160	0.35	36	28	-
M-20L / 240-MM	20	240	4800	0.35	41	33	-
M-20L / 277-MM	20	277	5540	0.35	47	38	-
M-30L / 120-MM	30	120	3600	0.35	31	25	-
M-30L / 208-MM	30	208	6240	0.35	53	43	21
M-30L / 240-MM	30	240	7200	0.35	61	49	25
M-30L / 277-MM	30	277	8320	0.35	71	57	28
M-40L / 208-MM	40	208	8320	0.35	71	57	28
M-40L / 240-MM	40	240	9600	0.35	82	66	33

Complies with Standards for:



Federal Public Law 111-380 (No Lead)

CALGreen

CHRONOMITE LABORATORIES, INC.
17451 Hurley St. :: City of Industry, CA 91744
Phone 800-447-4962 :: 626-937-4270
www.chronomite.com

MEMBER OF

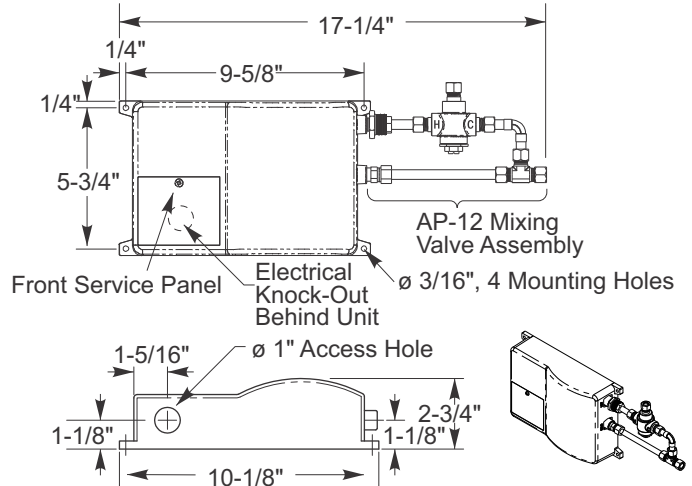


INSTANT-FLOW[®] MICRO MIX[®] - LOW FLOW

TECHNICAL DIMENSIONS

INSTANT-FLOW[®] MICRO MIX[®] - LOW FLOW

Dimensions:	6-1/4" (H) x 9-5/8" x 2-3/4"
Weight:	6 lbs.
Materials:	Rugged cast aluminum housing, Celcon plastic element assembly with Nichrome coils and AP-12 mixing valve assembly
Housing Color:	White
Minimum Operating Flow Rate:	0.35 GPM
Minimum Operating Pressure:	25 PSI
Maximum Operating Pressure:	80 PSI
Maximum Pressure:	150 PSI
Maximum Operating Temperature:	160°F
Listing:	UL, IAPMO, UPC, ADA, ETL



! GENERAL NOTES:

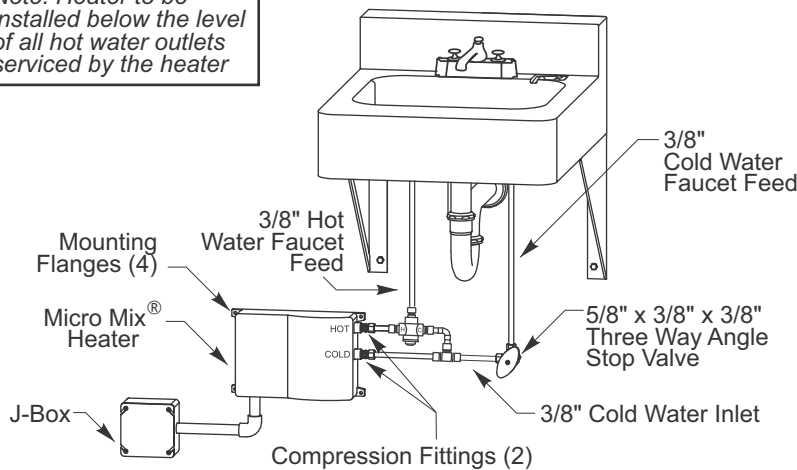
- ! The microprocessor adjusts the heater's power for variations in flow rates, inlet water temperature and pressure to assure the selected factory preset water temperature.
- ! 240V models when operated at 220V will have approximately a 15% wattage decrease.

! Microprocessor limits temperature increase according to the pre selected temperature.

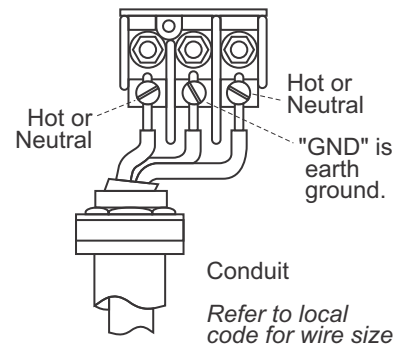
! The combination of Chronomite's IAPMO certified instantaneous water heater and the Chronomite's IAPMO certified valve assembly AP-12, when installed per the instructions, complies with ASSE 1070. Reference: IAPMO R&T Certificate no. 7257.

INSTALLATION DIAGRAM

Note: Heater to be installed below the level of all hot water outlets serviced by the heater



WIRING CONNECTION



ATTENTION:

Unit must be hard wired.

NOTE: Heaters are single phase. All tests are measured at the output of the heater.

Chronomite Laboratories assumes no responsibility for use of void or suspended data. © Copyright Chronomite Laboratories, Inc. Member of Morris Group International, City of Industry, CA Please visit www.chronomite.com for most current specifications.

SELECTION SUMMARY & APPROVAL FOR MANUFACTURING

Company _____

Model Number & Options _____ Quantity _____

Contact _____ Title _____

Signature (Approval for Manufacturing) _____ Date _____

CHRONOMITE
LABORATORIES, INC.
Acorn Family of Companies

PH. 800-447-4962
626-937-4270
www.chronomite.com